



String® Pocket metal

String® Pocket metal is sold as a complete shelf but is equally flexible as String® System. String® Pocket invites creativity and personality where you can combine two or three String® Pocket shelves into one larger shelf. Mix and match different colours to suit your style and preferences.

About the designers – Nisse and Kajsa Strinning

Nisse Strinning, designer of the String® System, was a Swedish architect born in 1917 in the northern part of Sweden. Nisse designed the first String® shelf in 1949 with great help of his wife, Kajsa Strinning. The couple met while studying at the Royal Institute of Technology in Stockholm. It all started when the Swedish publishing house, Bonniers, announced a competition where they were looking for the perfect shelf. High in functionality, modern design and at a fair price. String® was selected the winner and is considered a Swedish design icon ever since.

Product dimensions

W: 60 cm H: 50 cm D: 15 cm

Package dimensions

W: 62 cm H: 9 cm D: 17 cm

Weight: 4,5 kg

Delivered flat-packed, assembly needed.

Weight recommendation

25 kg evenly spread across one shelf.

Materials and colors

Powder coated metal.

Production

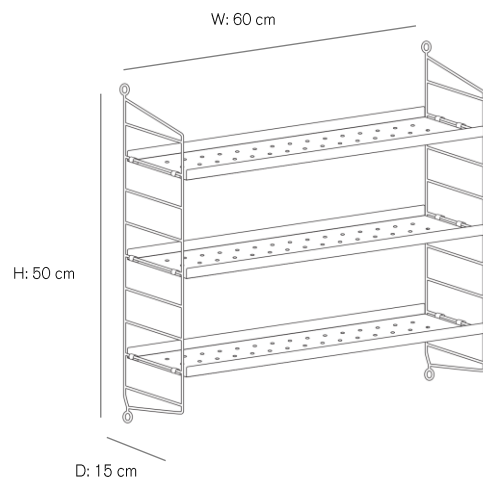
Made in Sweden.

Sustainability

The panels are powder coated and made from 100% recycled material and can be recycled. The shelf is powder coated steel, with 22% recycled material. Both can be recycled.

Care and maintenance

Wipe the surface with a cloth. Damp wipe with detergent solution. Then rub dry with a cloth. Remove stains with detergents that do not contain abrasives. Never use steel wool.



White NCS S 0500-N / RAL 9016



Blue NCS S 3060-R80B



Fuchsia NCS S 1050-R20B – New 2024

